

6227

BOARD DIPLOMA EXAMINATIONS

SEPTEMBER/OCTOBER - 2020

DCE– THIRD SEMESTER

CIVIL ENGINEERING DRAWING-I

Time: 3 hours

Max. Marks: 60

PART – A**4 X 5 = 20**

- Instructions:**
1. Answer **all** questions.
 2. Part – A need not be drawn to a scale.
 3. Any missing data may be assumed suitably..

1. Draw at the site plan of a residential building as per local bye-laws to plot of size 12 m x 18 m.
2. Draw the cross section of a load bearing wall and label the parts.
3. Draw the elevation of fully paneled door and label the parts.
4. Draw the sectional elevation of lift shaft for multi-stored building.
5. Draw the foundation plan of a single room 3.25 m x 4.75 m having wall thickness 380 mm and width of foundation 1100 mm.

* [Cont.,

- Instructions:*
1. Answer *all* questions.
 2. Any missing data may be assumed suitably..

6. Draw the following items to a scale of 1:50 for Fig.1

- a) Fully Dimensioned Plan **15 m**
- b) Section along A-A. **10 m**

Specifications:

(i) Foundation:

- a) Overall depth of foundation= 1000 mm
- b) C.C. Bed (1:3:6) : 1000 mm x 300 mm
- c) First Footing : R.R Masonry in CM (1: 6) : 1000 mm x 300 mm
- d) Second Footing : R.R Masonry in CM(1: 6) : 1000 mm x 300 mm

(ii) Basement : R.R Masonry in CM(1: 6) : 450 mm x 600 mm

(iii) Super structure: Brick masonry CM(1: 6) : 300 mm thick and
Height 3000 mm.

(iv) Roof: R.C.C. (1:1.5:3) 120 mm thick.

(V) Lintels: On all wall openings 300 mm x 250 mm

(vi) Sunshades: On all external openings, projected lengths 700 mm.

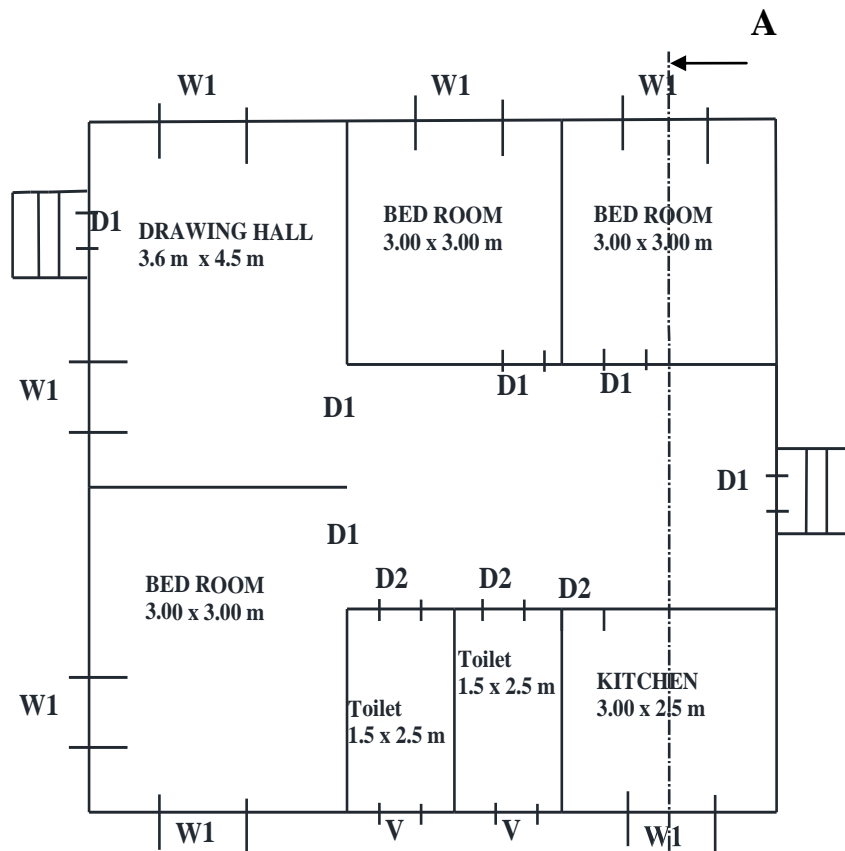
And 50mm uniform thickness.

(vii) Parapet wall: Brick masonry in CM (1:6) of 100 mm thick and
900mm height.

[Cont.,

*

- (viii) (a) Doors: D1 : 1000 x 2000 mm ; D2 : 800 x 2000 mm
(b) Windows: W1: 1200 mm x 1200 mm; W2: 1000x 1200 mm
(c) Ventilators: V: 600 mm x 450 mm.
- (ix) Flooring: C.C (1:2:4) 40 mm thick over C.C. (1:4:8) OF 100 mm Thick.
- (x) Steps: Rise : 150 mm, Tread: 300 mm.



7. Draw the line diagram of a Apartment Plan of the Floor with 6 Units each @ 90 to 120 sq.m. **15 m**

*